

16

Warning: Do not use the cabinet as a step ladder. Use a screwdriver and a power drill.

Tools: Screwdriver, Power drill (Ø 8mm).

Parts: WS1, WS2, W3, U1, 18, B1, WM1, PK3, E1.

Sub-diagrams: I, II, III, IV, V, VI, VII.

MODELL: CN8

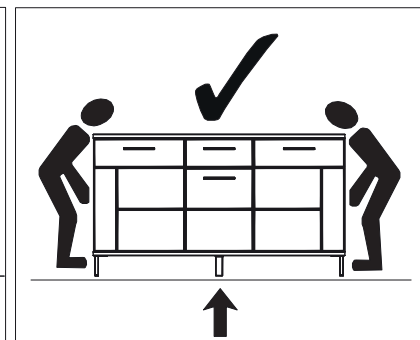
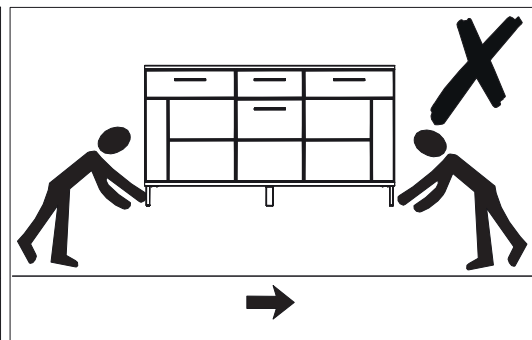
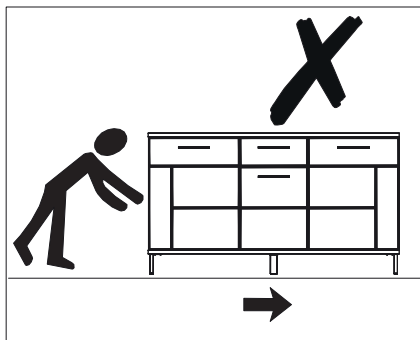
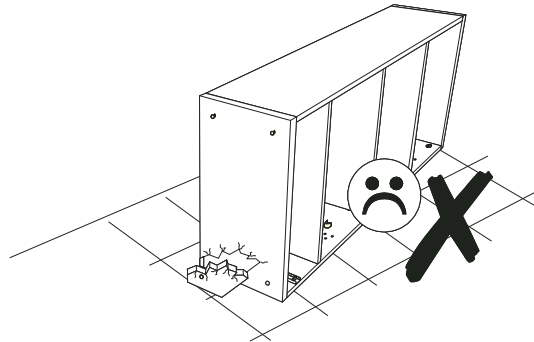
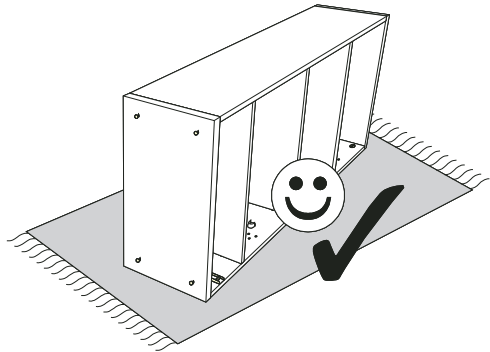
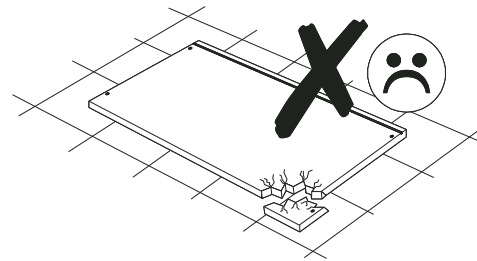
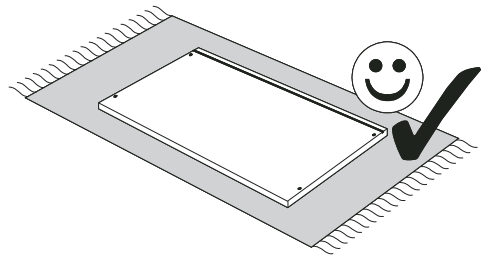
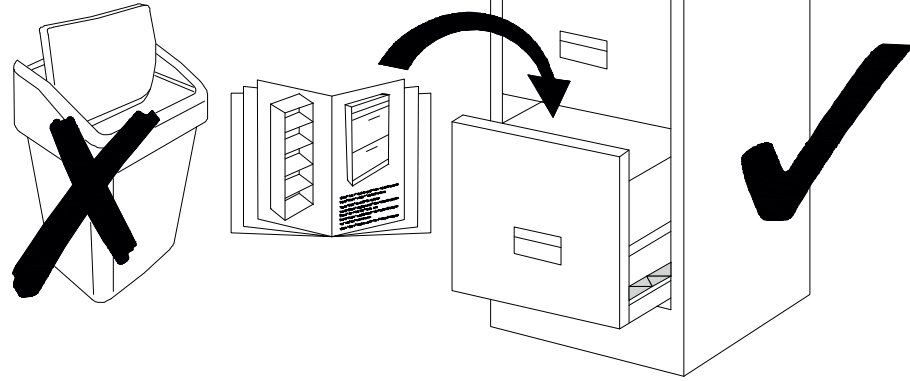
Dimensions: 1943 (height), 892 (width), 540 (depth). **Weight:** MAX 20 KG. **Time:** 1,5h.

Tools: Screwdriver, Power drill, Level, Safety glasses.

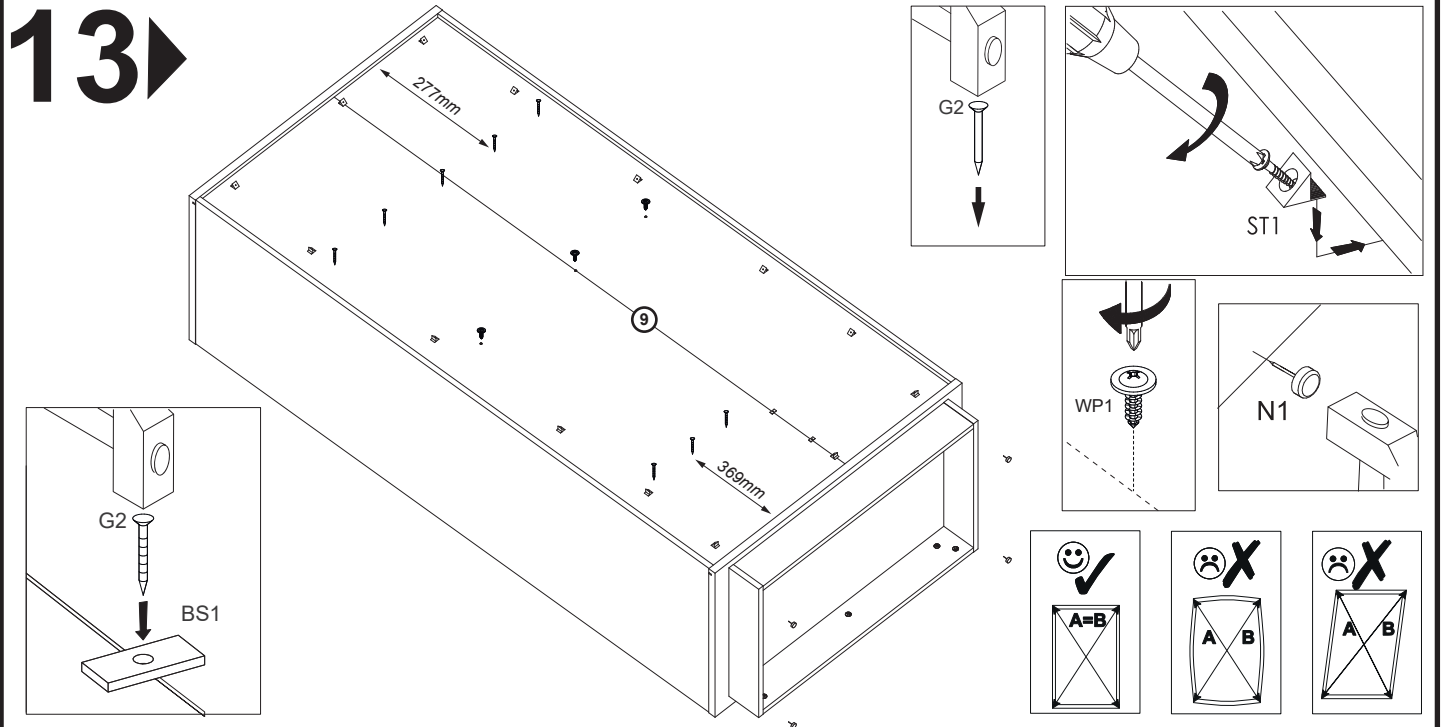
	A	B (mm)		C	D
1	1790	539	16	x1	3/3
2	1790	539	16	x1	3/3
3	892	540	22	x1	1/3
4	892	540	22	x2	1/3
5	361	519	16	x1	2/3
6	494	520	16	x1	2/2
7	859	90	16	x1	1/2
8	858	502	16	x1	1/2
9	1806	986	2,5	x1	3/3
10	760	104	16	x2	1/3
11	481	104	16	x2	1/3
12	1784	359	16	x1	2/3

	A	B (mm)		C	D
13	1784	359	16	x1	3/3
14	350	118	16	x1	1/3
15	350	118	16	x1	1/3
16	419	104	16	x1	2/3
17	435	357	2,5	x1	2/3
18	471	176	16	x1	2/3

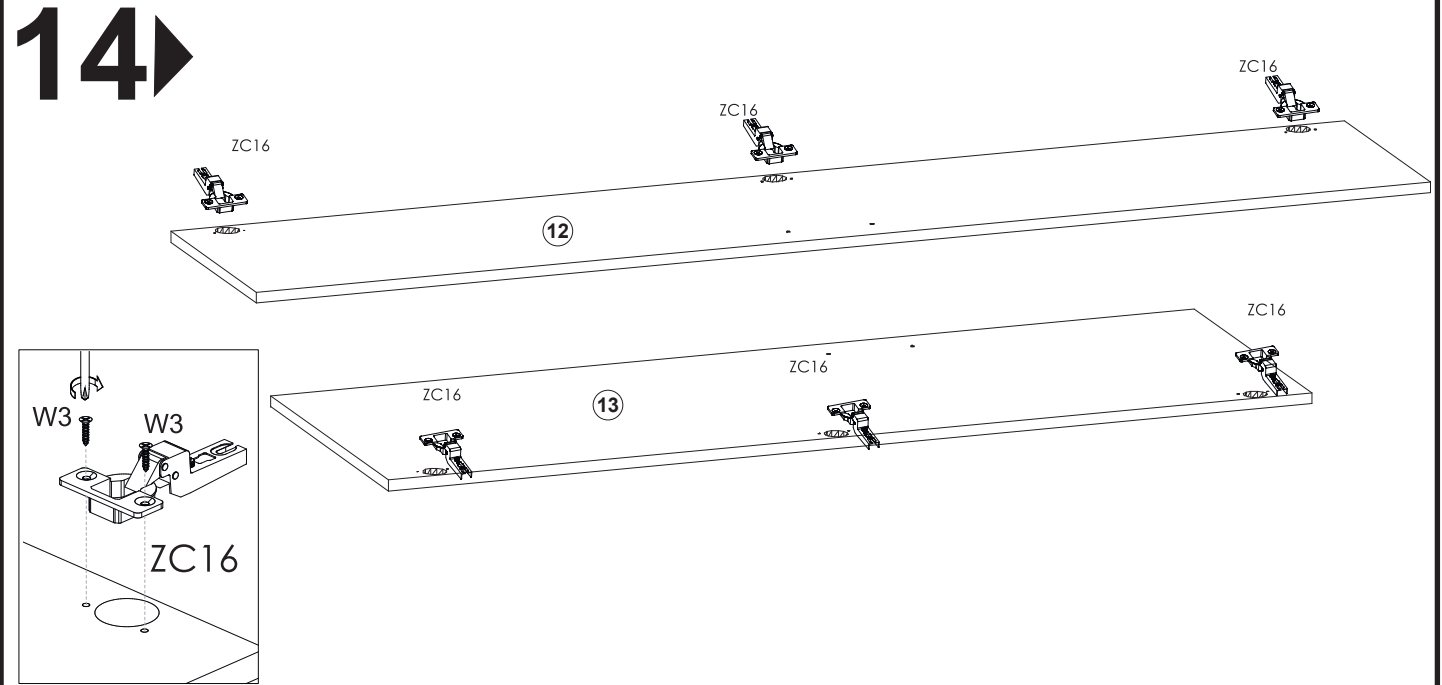
6x	3x	2x	2x	1x	14x
ZC16	4x16	WP1	WS1	B1	WS2
25x	12x	14x	2 kpl.	8x	12x
#20871	ZN1	3,5x16	W3	ST1	#350
				PK3	#14/871
				ZN2	
				W2	
				PRO	
				U1	
				N1	
8x	24x	1x	1x	47x	47x
6,4x50	K5	8x30	K1	#15/15	M1
				DU232T	T1
				4x25	WM1
				2x20	G2
				5x11	E1



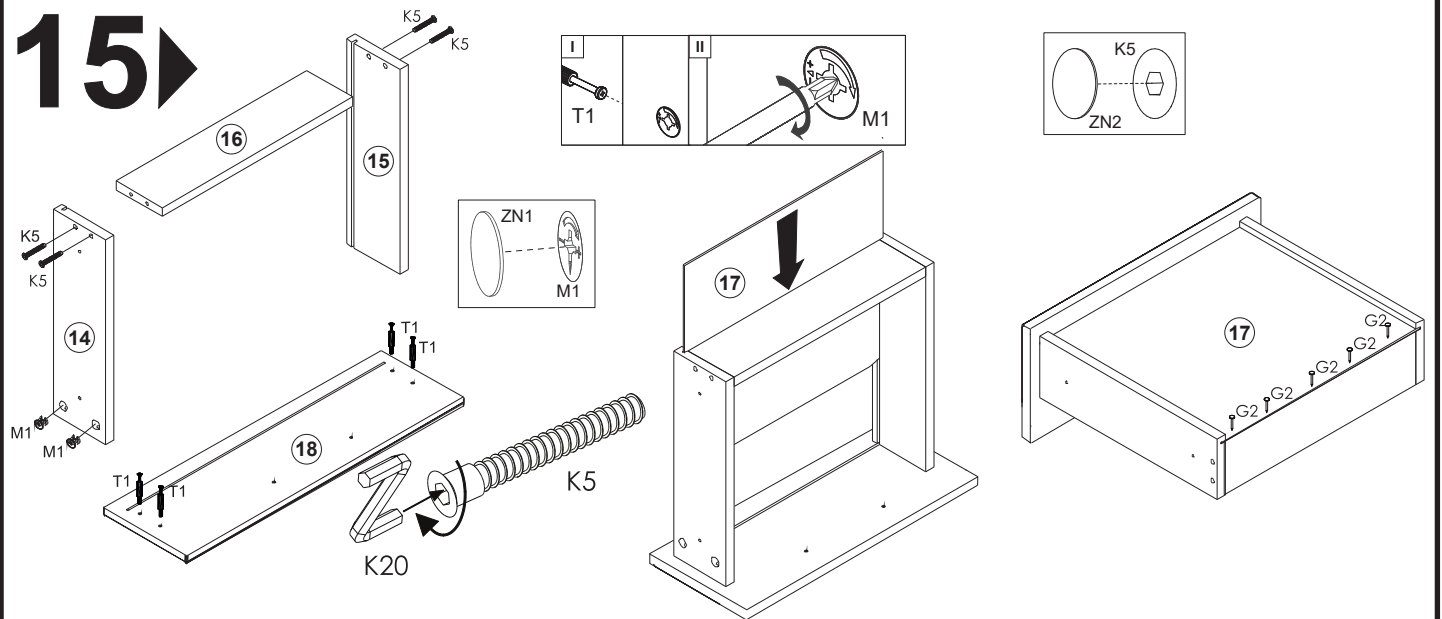
13



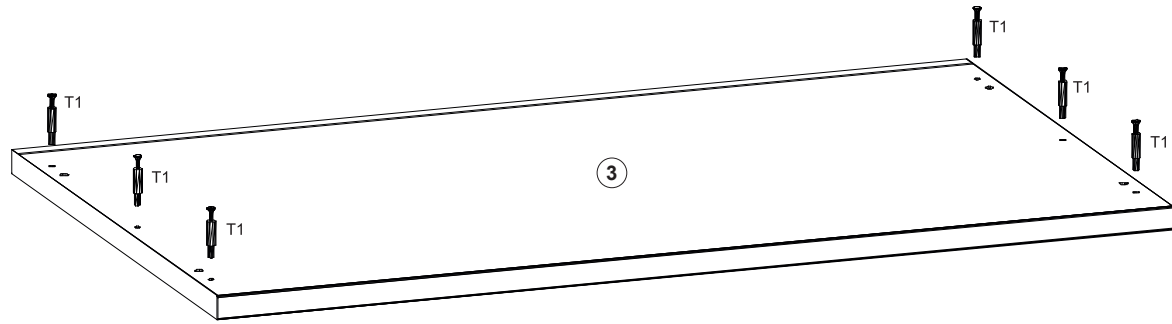
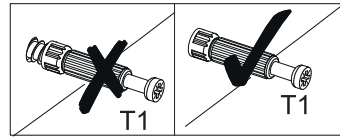
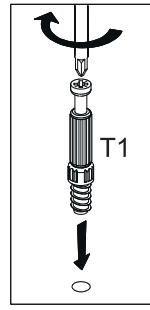
14



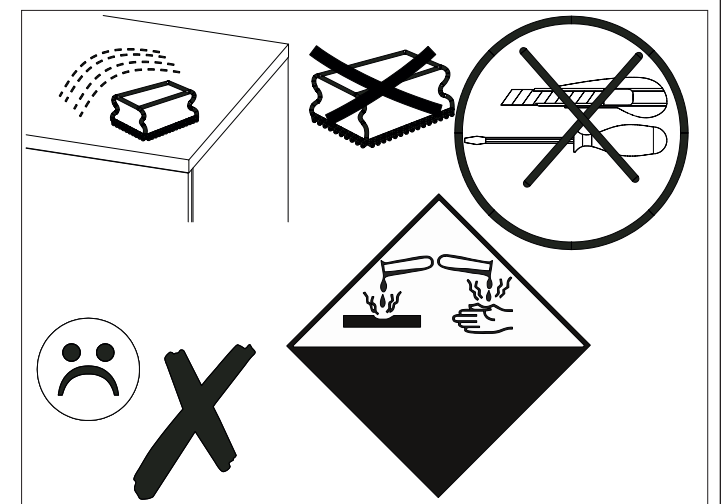
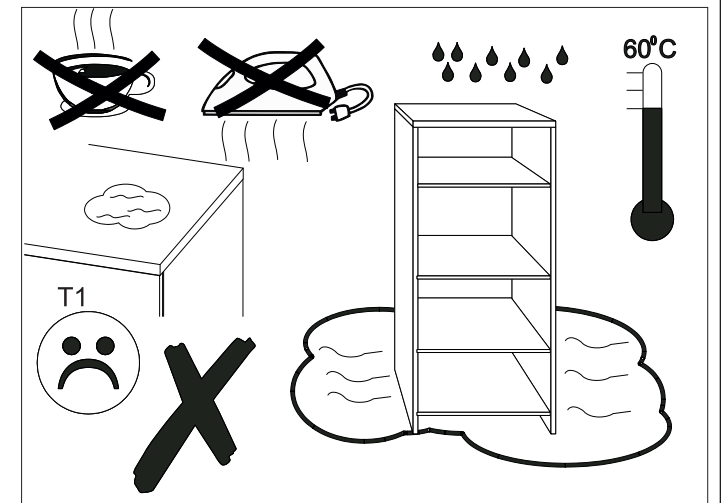
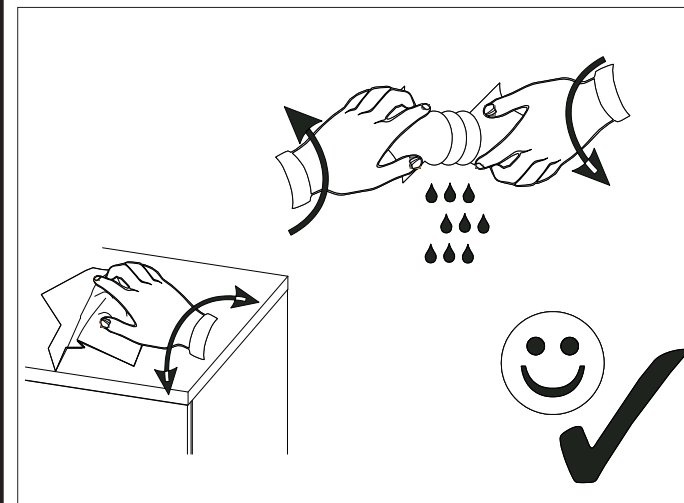
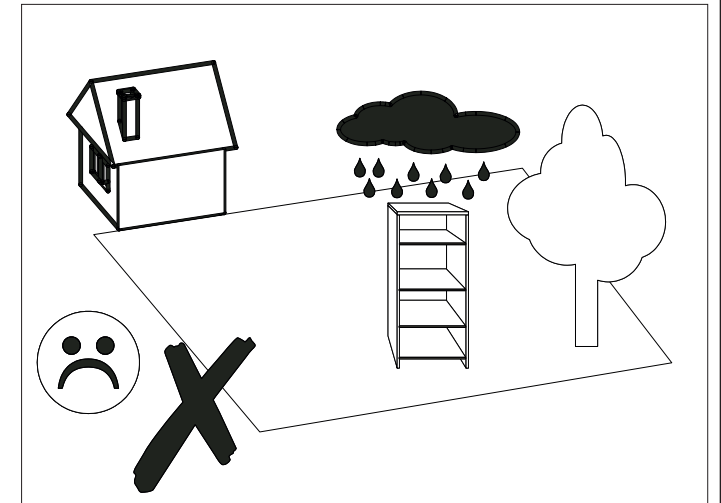
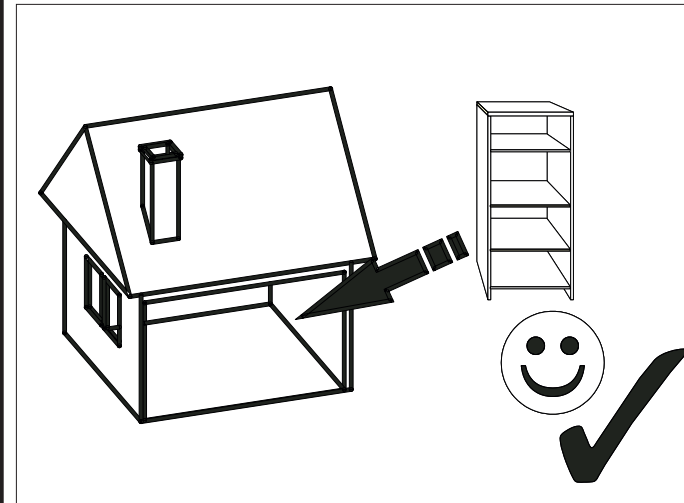
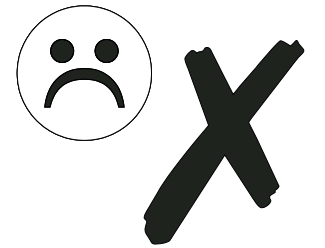
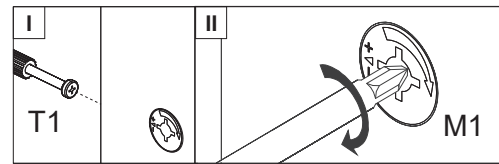
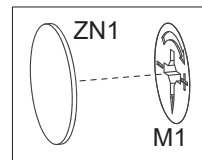
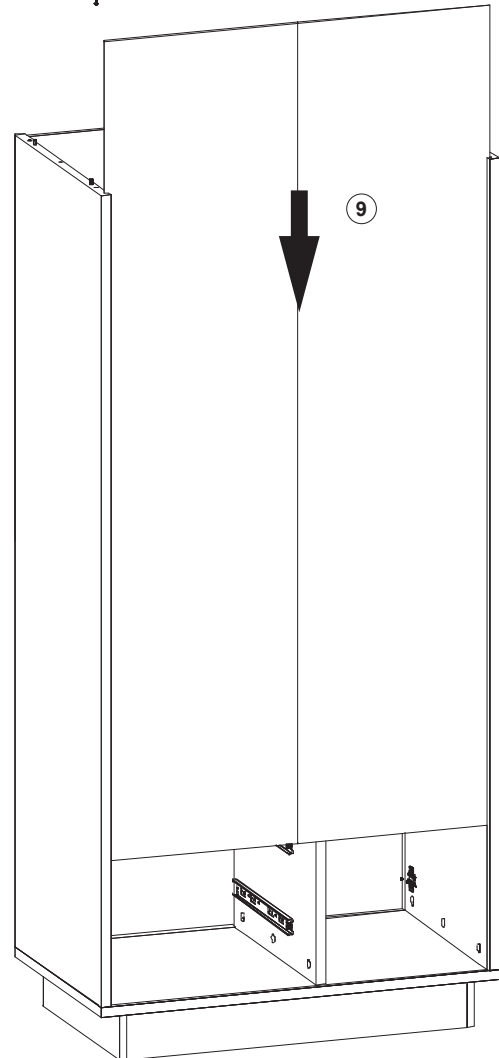
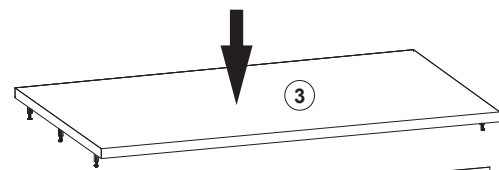
15



11▶

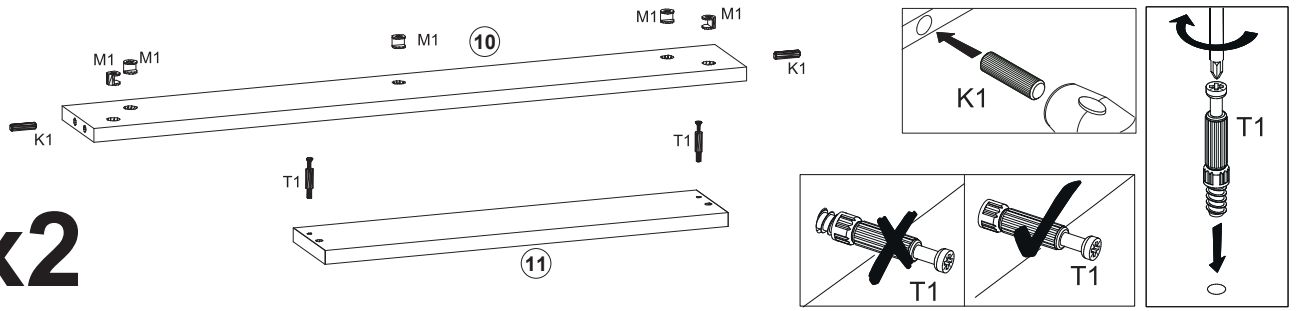


12▶

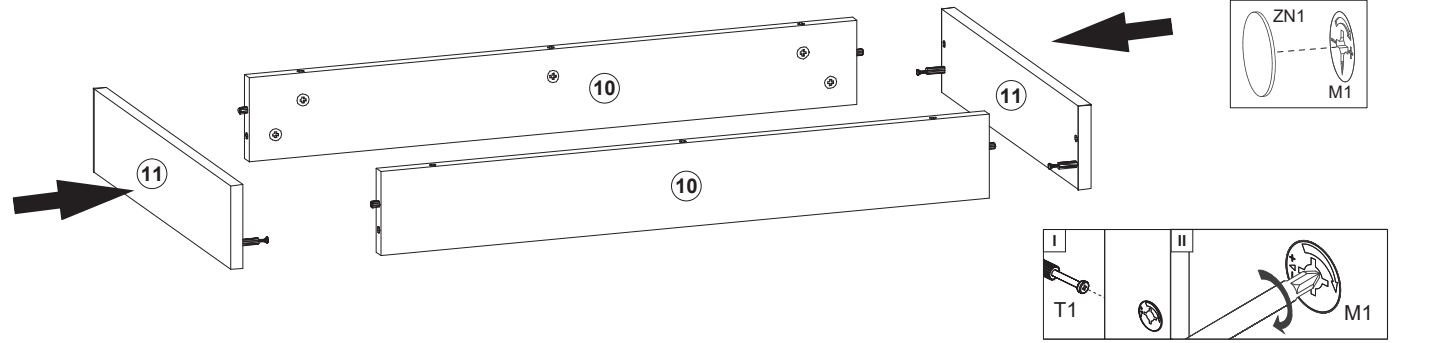


2 ▶

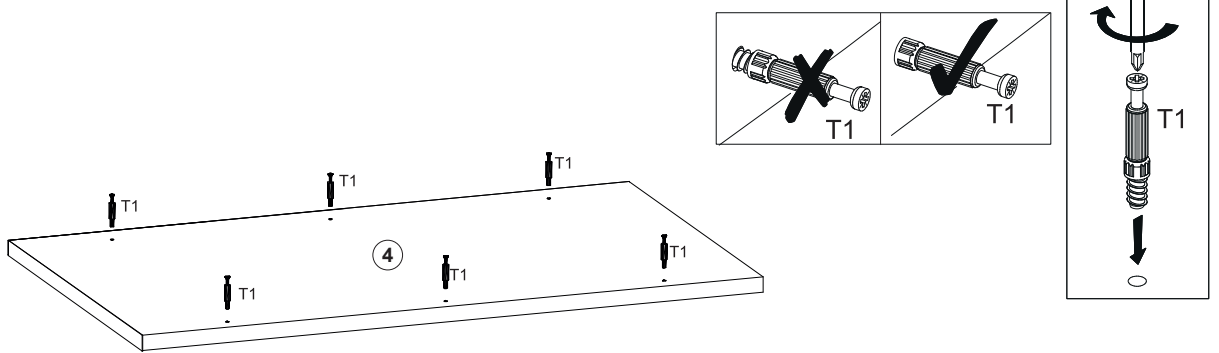
x2



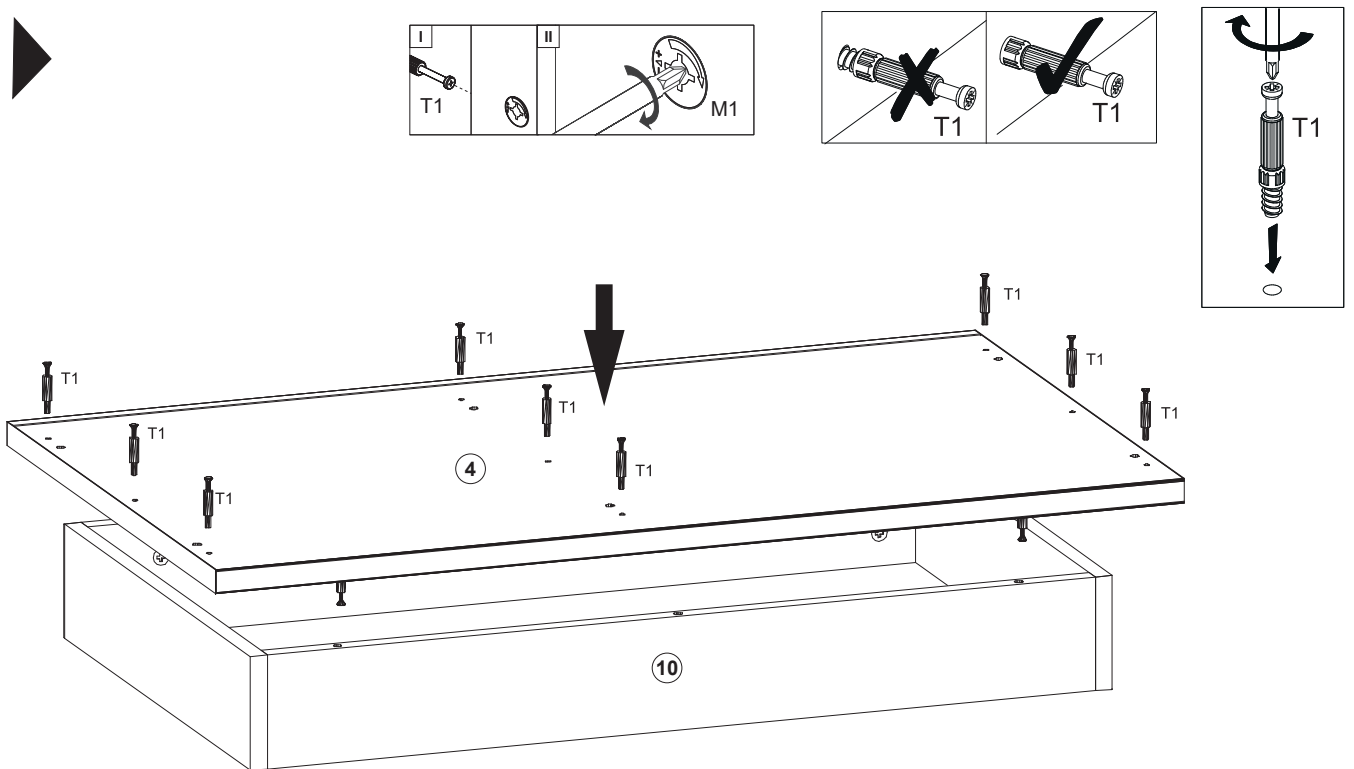
3 ▶



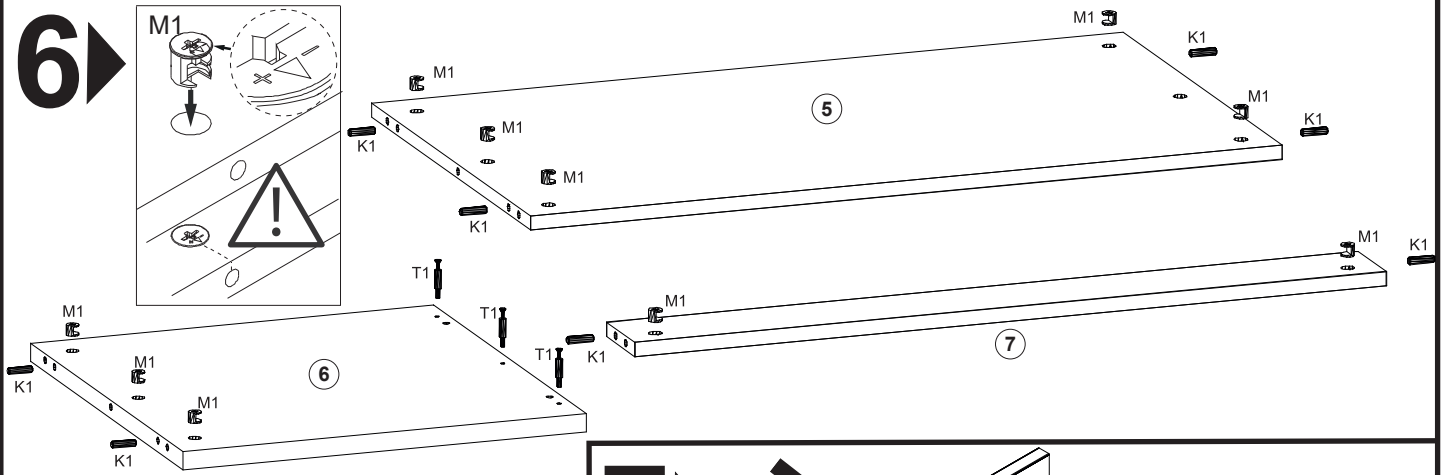
4 ▶



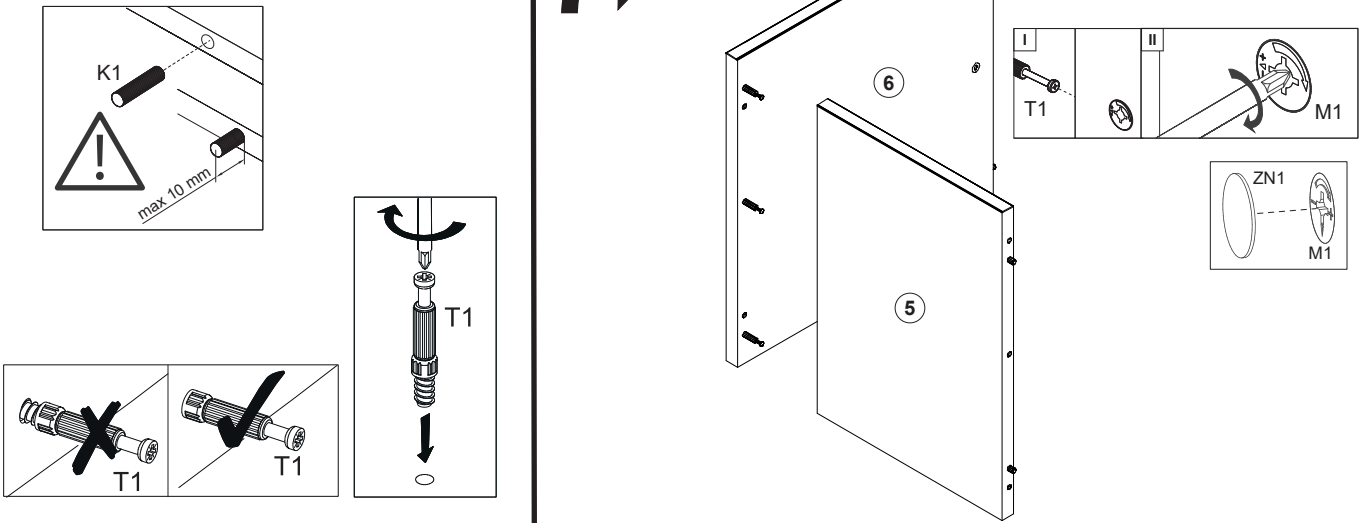
5 ▶



6



7



8

